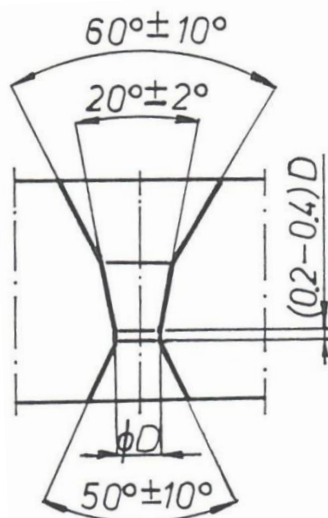
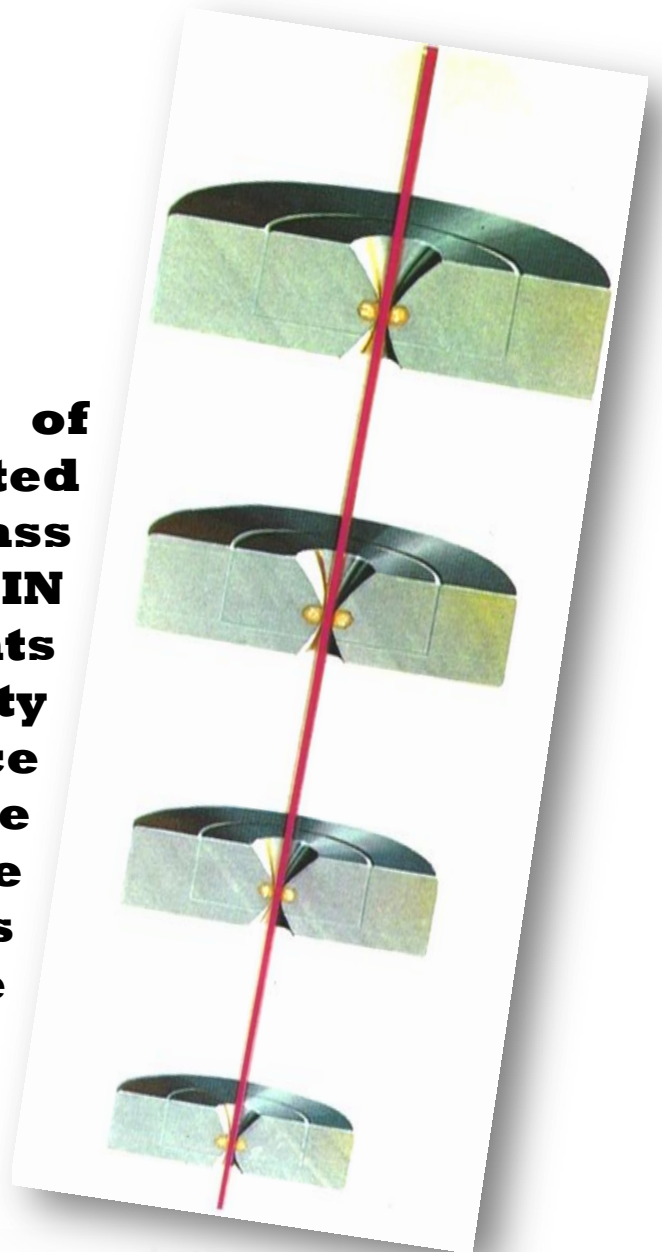


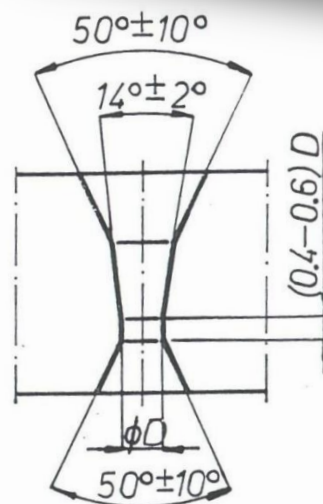
# Natural Diamond Dies



**...are exclusively made of specially tested and selected crude diamonds of first class quality and according to DIN 1546. Highest requirements as to dimensional stability and precision, surface finish of the drawn wire materials, long life expectation and towards an optimal reliability are being met by all ND dies from **EDER-Austria**.**



geometry for drawing  
soft materials



geometry for drawing  
hard materials